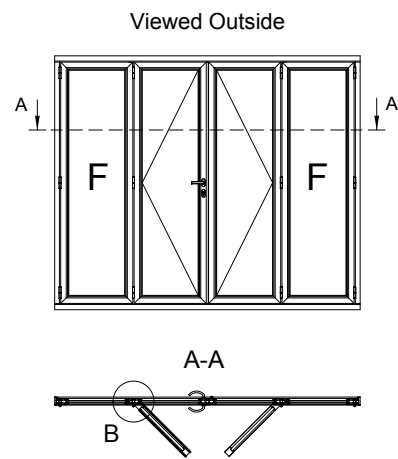
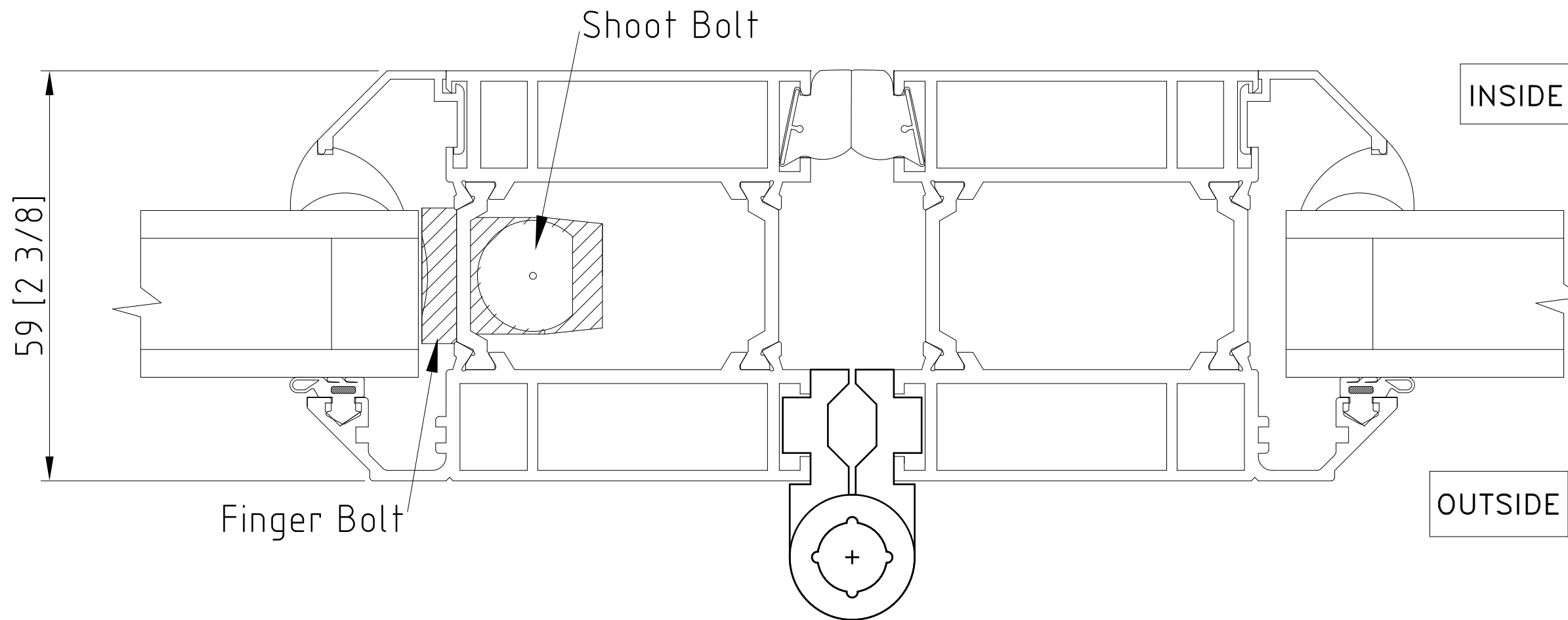


B - Locking Finger Bolt In Glazing Chamber



154 [6 1/8]



Drawing No: OFDL_2.129.1

This information and drawing are the copyright of Origin USA Inc. Copyright is reserved by them and is issued on the condition that it is not copied or disclosed by or to any unauthorized persons without prior consent of Origin USA Inc. All dimensions are in imperial measurements. Do not scale.

info@originbifolds.com
www.originbifolds.com